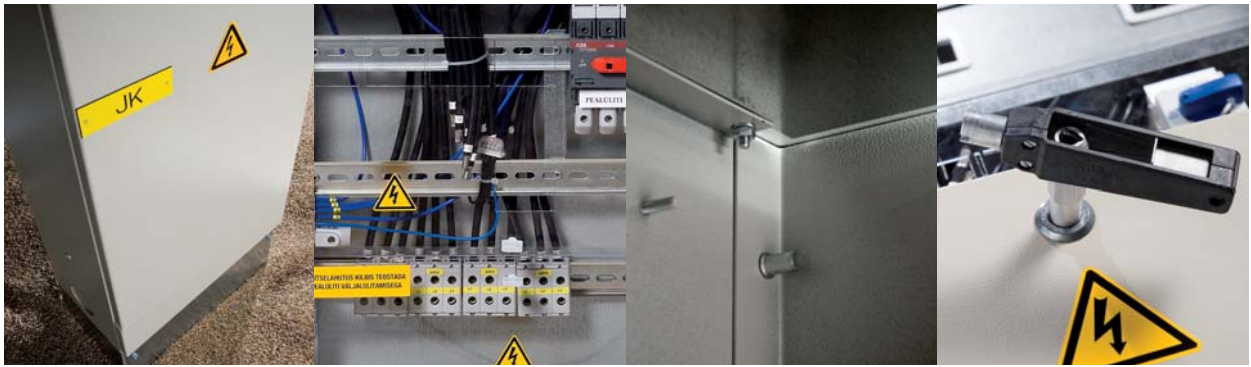




Power Distribution and Metering Cabinets

HETR



The **HETR** series of cabinets has been designed for use in low voltage line applications, the protection of the consumer supply lines, energy consumption metering, and the limiting of current.

CONSTRUCTION

The enclosure is made of 2 mm thick, galvanized sheet metal with a powder-coated finish in grey (RAL 7032). The cabinet door is removable and is equipped with a lock (triangular for the metering cabinet and round in the distribution cabinet).

On the sides of the enclosure, there are closable openings for temporary cable connections. The power devices are installed in the enclosure either on busbars or a mounting plate.

For protection against weather related conditions, the enclosure has an overhanging roof. The accumulation of condensation is limited by a double roof and a drain in the base. Ventilation for the cabinet is provided through openings. The degree of protection with the door closed is IP 34D; IP20 when the door is removed. The wiring of the cabinets conforms to the TN-C system and the rated operating voltage is 230/400V.

The product range includes both power distribution and metering cabinets in similar enclosures with a partitioning wall and separate doors for each functional area.

POWER DISTRIBUTION CABINETS

The standard product includes a copper busbar with 185mm separation for the installation of low voltage HRC stripe fuses (400 A, 630 A, or 160 A with adapters). Through the use of proper protection and work methods, devices can be added and removed when the electrical cabinet is in use.

METERING CABINETS

The standard product includes a main switch, a mounting plate for electricity meters, marked wiring, a sealable protective cover, input and output terminals, and triangular key(s). The area with unmetered power lines can be sealed. The standard product does not include electricity meters, a timing device for different metering rates, or main circuit breakers.

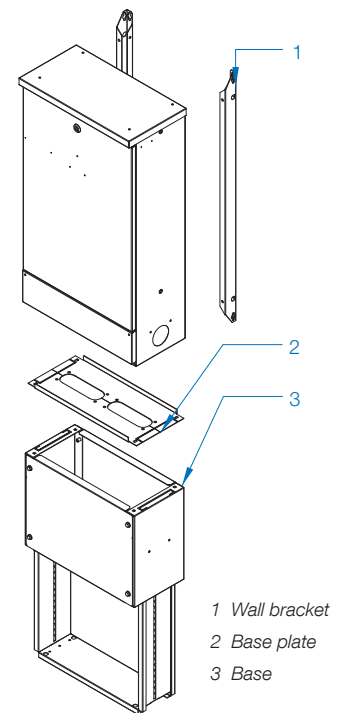
INSTALLATION

The cabinets have been designed for fixed installation in outdoor conditions at ground level on an adjustable base (setable at a height between 400 and 900 mm), or wall mounted through the use of brackets. Installation on a concrete base with anchor bolts is also possible.

The HETR enclosures can be mounted next to each other through the use of bolts and rivet nuts located on the sides. For this purpose, the rivet nuts on the bolt head side have to be drilled and the enclosures affixed together with M8x35 bolts. The cables can be fed from one cabinet to another through bushings in the lower part of the enclosure.

CONFORMITY WITH STANDARDS

The HETR series of cabinets are manufactured in accordance with the standards EN 60439-1, EN 60439-3, and EN 60439-5.



Various bases



Width	350 mm
Height	1000 mm
Depth	290 mm



Metering	HETR 35L XP	HETR 35L ZP
Rated current	63 A	100 A
I/O (Al/Cu)	max 50/35 mm ²	max 50/35 mm ²



Power Distribution	HETR 35K-400	HETR 35K-630
Rated current	400 A	630 A
No. of modules (100 mm)	3	3



Width	550 mm
Height	1000 mm
Depth	290 mm



Metering	HETR 55L XP	HETR 55L ZP
Rated current	63 A	100 A
I/O (Al/Cu)	max 50/35 mm ²	max 50/35 mm ²



Power Distribution	HETR 55K-400	HETR 55K-630
Rated current	400 A	630 A
No. of modules (100 mm)	5	5



Width	850 mm
Height	1000 mm
Depth	290 mm



Metering	HETR 85L XP	HETR 85L ZP
Rated current	100 A	160 A
I/O (Al/Cu)	max 50/35 mm ²	max 70/35 mm ²



Power Distribution	HETR 85K-400	HETR 85K-630
Rated current	400 A	630 A
No. of modules (100 mm)	8	8



Width	850 mm
Height	1000 mm
Depth	290 mm



Metering and power distribution cabinets	HETR 85KL XP; HETR 85KL ZP	
	Metering section	Power distribution section
Rated current	63 A(XP); 100 A(ZP)	400/630 A
I/O (Al/Cu)	max 50/35 mm ²	-
No. of modules (100 mm)	-	3



AS Harju Elekter Elektrotehnika
Paldiski mnt 31, 76606 Keila, Estonia
Tel + 372 674 7449
Fax + 372 674 7441
mail@he.ee
www.harjuelekter.ee/elektrotehnika

