



Power Connection and Metering Cabinets
Power Control Cabinets for Pole-Mounted Transformers
HELK



The **HELK** series of electrical power connection cabinets are designed for metering power, limiting current, protecting circuits and switching between the power grid and the consumer at the connection point. These cabinets can also be mounted on utility poles with transformers in order to measure and control electric power in the grid.

CONSTRUCTION

The enclosure is made of 1.5 mm thick, galvanized sheet metal and is painted with an ultraviolet-resistant powder coating (RAL 7032). The door can be removed and is equipped with a lock (customer-specific locks are available).

The contents of the HELK series of cabinets are protected from rain through the overhanging top edge, the double-layered roof prevents condensation and openings are provided for ventilation. The level of protection with the door closed is IP 34D; inside it is IP 20. The protective covers are made of a transparent polycarbonate. The conductors are arranged in the TN-C system with a rated voltage of 230/400 V.

POWER CONNECTION AND METERING CABINETS

The standard versions include the main switch, a meter mounting plate with fasteners, marked cables with ferrules, plastic protective covers that can be sealed, input and output terminals as well as a lock key. The section with the conductors that are not metered can be sealed. The standard products do not come with meters, timers for different tariff rates or main circuit breakers.

CONTROL CABINETS FOR POLE-MOUNTED TRANSFORMERS

The standard product versions include a meter mounting plate with fasteners, marked cables with ferrules as well as input and output terminals.

The direct measuring cabinet has one main switch and three 000-size fuse switch disconnectors (without fuses) or electronic circuit breakers.

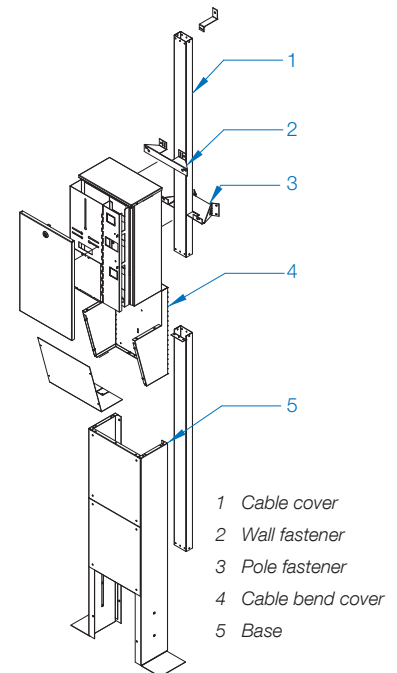
The transformer measuring cabinet contains current transformers 150/5 A 0.2 S and three 000-size fuse switch disconnectors (without fuses) or electronic circuit breakers. The standard versions do not come with meters or timers for varying tariff rates.

INSTALLATION

The cabinets are designed for outdoor installation on utility poles through the use of hardware, at ground level on top of a base or on walls together with mounting hardware.

COMPLIANCE WITH STANDARDS

The HELK series of cabinets conform to the standards EVS-EN 60439-1, EVS-EN 60439-3 and EVS-EN 60439-5. The product has received the FIMKO certificate with the number 21945.



Set of hardware



Power connection and metering cabinet HELK 1

	HELK 1 XP	HELK 1 ZP
Width	350 mm	350 mm
Height	600 mm	600 mm
Depth	215 mm	215 mm
Protection level	IP 34D	IP 34D
Rated current	63 A	100 A
Input (max.)	Al/Cu 50 mm ²	Al/Cu 50 mm ²
Output (max.)	Al/Cu 35 mm ²	Al/Cu 35 mm ²



Power connection and metering cabinet HELK 2

	HELK 2 XP	HELK 2 ZP
Width	450 mm	450 mm
Height	800 mm	800 mm
Depth	215 mm	215 mm
Protection level	IP 34D	IP 34D
Rated current	63 A	100 A
Input (max.)	Al/Cu 50 mm ²	Al/Cu 50 mm ²
Output (max.)	Al/Cu 35 mm ²	Al/Cu 35 mm ²



Power connection and metering cabinet HELK 4

	HELK 4 XP	HELK 4 ZP
Width	450 mm	450 mm
Height	1100 mm	1100 mm
Depth	215 mm	215 mm
Protection level	IP 34D	IP 34D
Rated current	100 A	160 A
Input (max.)	Al/Cu 50 mm ²	Al/Cu 70 mm ²
Output (max.)	Al/Cu 35 mm ²	Al/Cu 35 mm ²



Control cabinet for pole-mounted transformers HELK 4

	HELK 4 M	HELK 4 MT	HELK 4 MA	HELK 4 MTA
Width	450 mm	450 mm	450 mm	450 mm
Height	1100 mm	1100 mm	1100 mm	1100 mm
Depth	215 mm	215 mm	215 mm	215 mm
Protection level	IP 34D	IP 34D	IP 34D	IP 34D
Rated current	100 A	150 A	100 A	150 A
Measuring type	Direct	Current XFMR	Direct	Current XFMR
Circuit breaker type	Fuses	Fuses	Circuit breakers	Circuit breakers
Input (max.)	Al/Cu 50 mm ²	Al/Cu 150 mm ²	Al/Cu 50 mm ²	Al/Cu 150 mm ²
Output (max.)	Al/Cu 120 mm ²	Al/Cu 120 mm ²	Al/Cu 120 mm ²	Al/Cu 120 mm ²



AS Harju Elekter Elektrotehnika
Paldiski mnt 31, 76606 Keila, Estonia
Tel + 372 674 7449
Fax + 372 674 7441
mail@he.ee
www.harjuelekter.ee/elektrotehnika

